

Razor Pro Rack Mount Kit



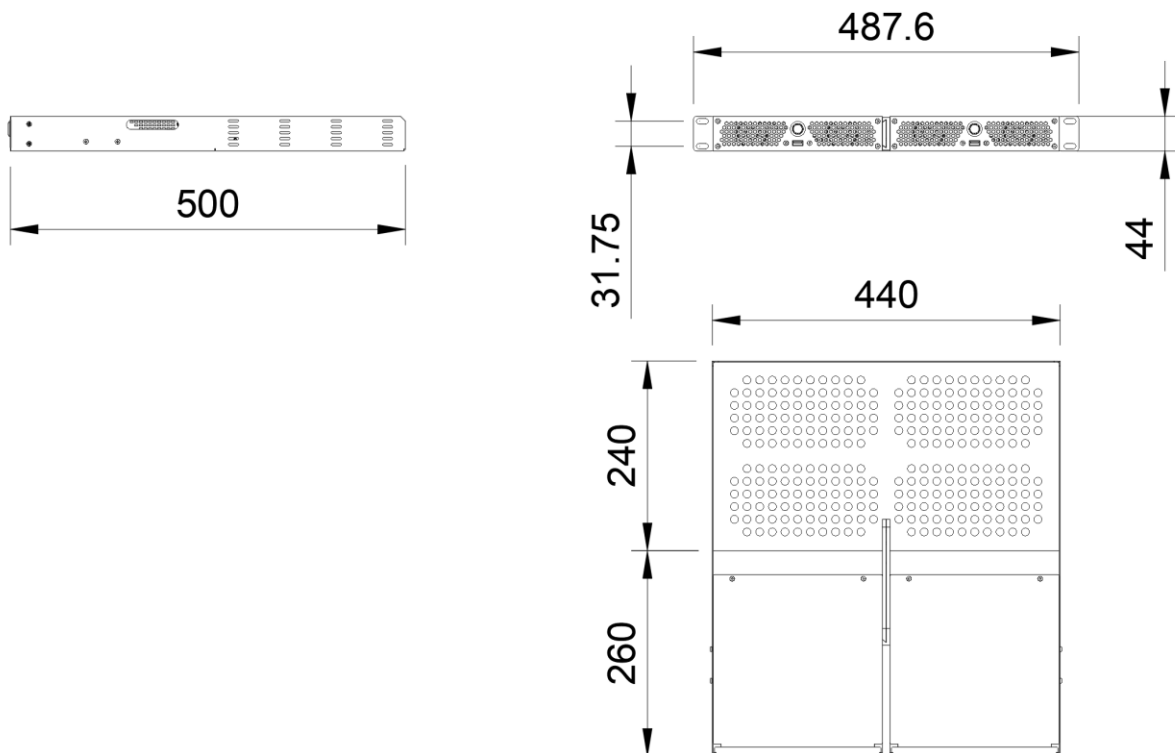
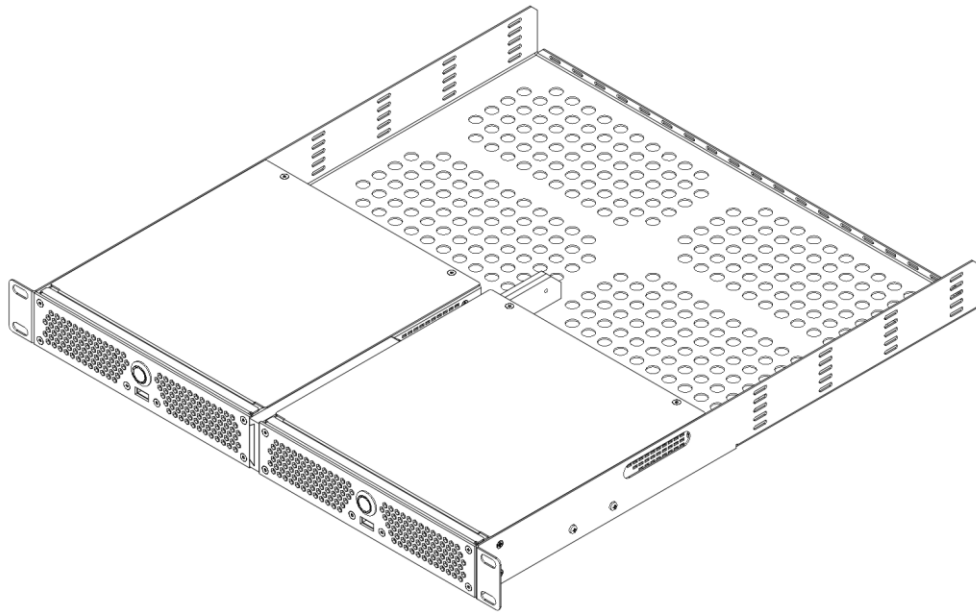
Overview

The Razor Pro Rackmount Kit allows the mounting of two DVS Razor Pro's side by side in a 1U Rack space. The rear shelf gives enough space to mount the external power supplies and enables cable management and strain relief.

Kit Contents

- 1 x Rack shelf
- 1 x Male dovetail mount
- 1 x Female dovetail mount
- 8 x M3 x 8mm countersunk screw
- 11 x M3 x 6mm countersunk screw

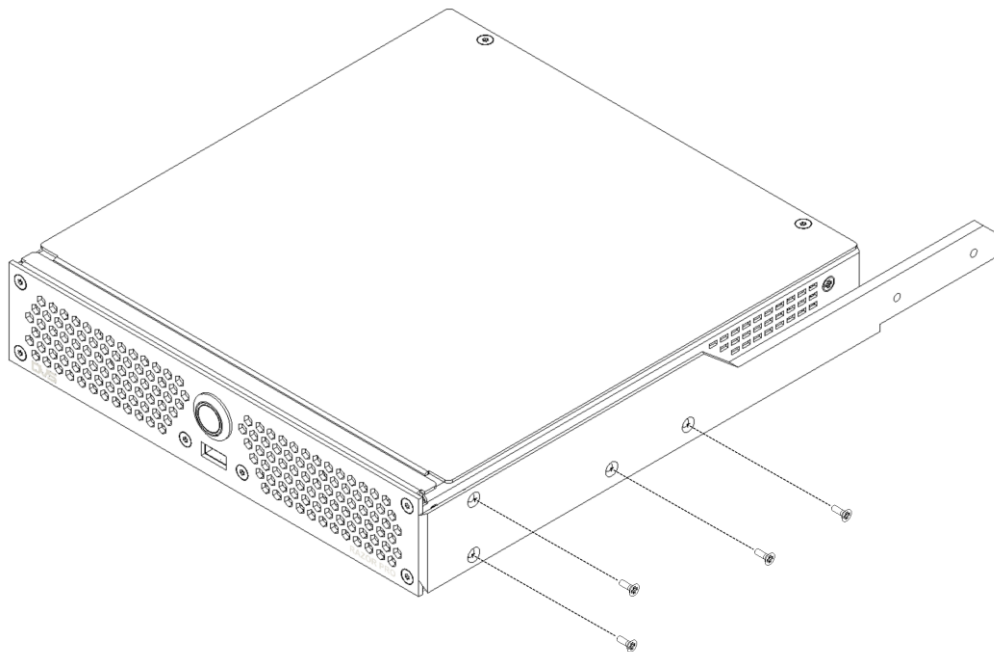
Dimensions



Assembly Instructions

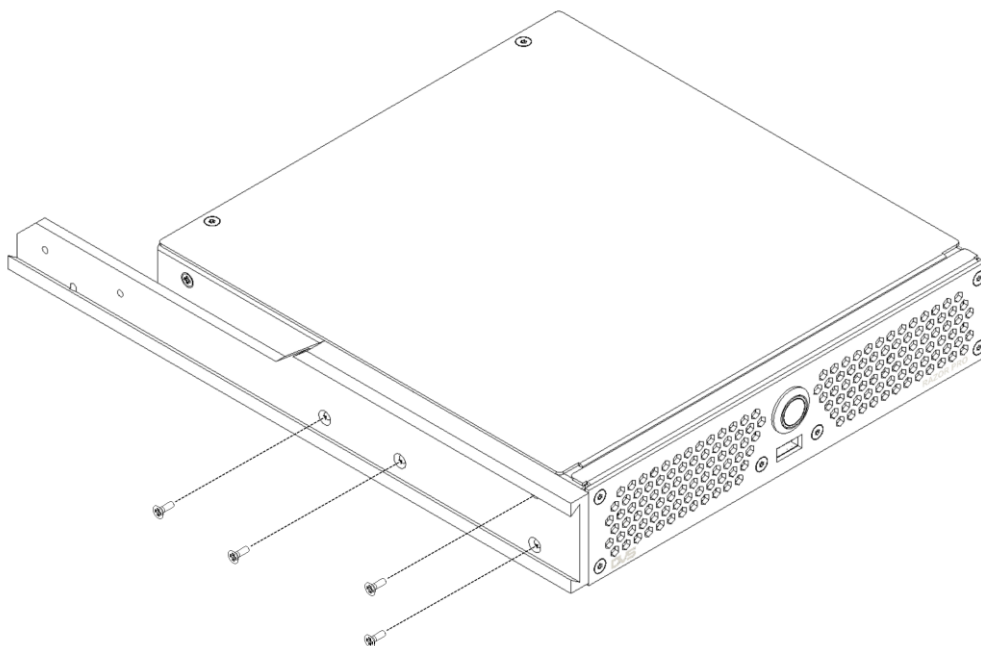
Step 1

Fit the male dovetail mount using 4 x 8mm countersunk screws to the right side of one unit.



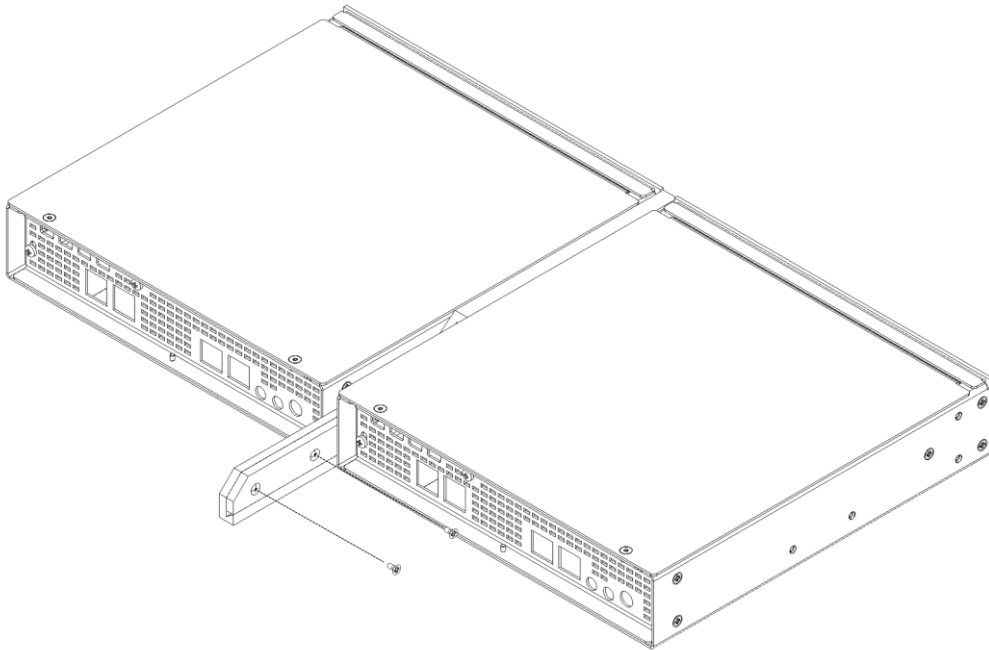
Step 2

Fit the female dovetail mount using 4 x 8mm countersunk screws to the left side of the second unit.



Step 3

Slid the two units together and secure them at the rear using 2 x 6mm countersunk screws.



Step 4

Place the two units into the rack shelf and fix in place using 4 x 6mm countersunk screws either side and 1 x 6mm countersunk screw underneath into the centre assembly.

